

# SAILOR MARINE PRODUCTS

Improved safety at sea



Sailor's line of marine products is designed to meet the toughest of maritime environments. Every product in Sailor's marine product programme will make your existing safety system even safer.

## SAILOR SART 9GHz Search And Rescue Transponder

The Sailor Search And Rescue Transponder (SART) is a 9GHz receiver/transmitter. When receiving a pulse from any standard 9GHz x-band radar, the SART immediately transmits a signal which clearly identifies the survival craft on the radar screen.

Once activated the SAILOR SART will remain in standby mode for over 96 hours.

The SAILOR SART is fully approved and has been designed for assisting in air/sea rescue operations in accordance with IMO, GMDSS requirements.

- Approved according to IEC 1097-1
- Small and lightweight
- Ship and survival craft applications
- 5-year longlife replaceable battery pack
- Maintenance free
- Audio/visual alarm
- Built-in test facility
- Internal/external mounting options

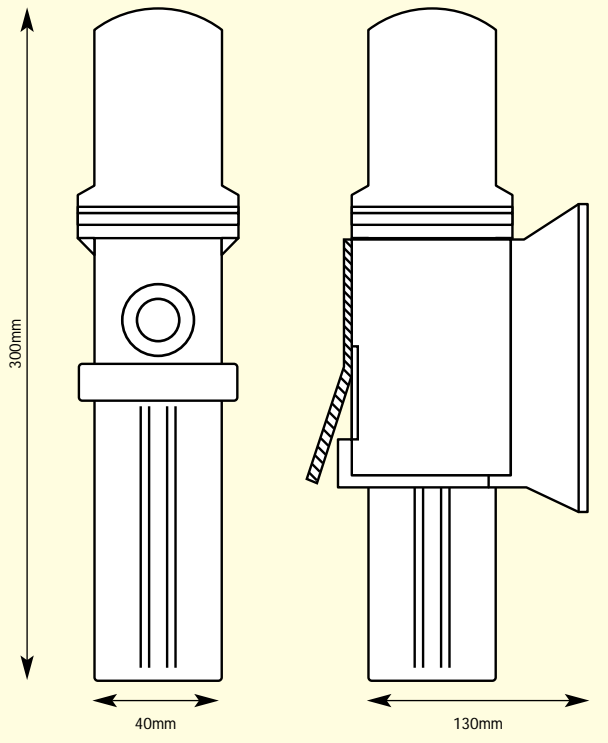


When safety counts

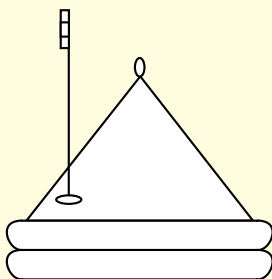
## SAILOR SART

### 9GHz search and rescue transponder

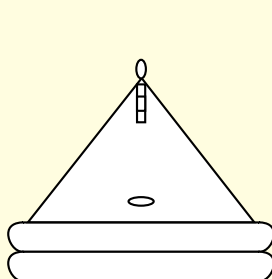
Carry-off version



External mounting



Internal mounting



## SAILOR MARINE PRODUCTS

### Technical data

#### Receiver response:

9.2 - 9.5Ghz, sensitivity better than -50dBm.

#### Transmitter response:

- 12 forward and return sweeps through the range 9.2 - 9.5Ghz.
- Nominal sweep times 7.5 $\mu$ s forward and 0.4 $\mu$ s return.
- Minimum recovery time following excitation, less than 10 $\mu$ s.
- Response reply to receiver signal less than 0.5 $\mu$ s.

#### Radiated power (EPIRB):

- Not less than 400mW (+26dBm).

#### Duration of operation:

- 96 hours in standby condition followed by a minimum 8 hours of transmission while being continuously interrogated with a pulse repetition frequency of 1kHz.

#### Temperature range:

- -20°C to + 55°C operational.
- -30°C to + 65°C storage.

#### Antenna Characteristics:

- Vertical beamwidth at least +/- 12.5 degree relative to the horizontal plane of the radar transponder to +/- 2dB.
- Azimuthal beamwidth omni-directional to +/- 2dB.

#### Effective antenna height:

- 1 metre or greater.

#### Weight:

- 950g (without bracket).

#### Dimensions:

- 300mm long x 62mm diameter.

The SAILOR SART is approved by every major maritime nation in the world.



When safety counts

S.P. RADIO A/S

Porsvej 2 · PO Box 7071 · DK-9200 Aalborg SV · Denmark

Phone: +45 9634 6100 · Fax: +45 9634 6101

Telex: 69 789 SPRAD DK · E-mail: sailor@sailor.dk

Web: www.sailor.dk