

1 ZÖLLNER ZETFON 50/650 K (high pitched)

for vessels with a length of less than 20 m
in accordance with the Colregs 1972, Annex III
approval No. DHI 49/24 P/01/83 and DHI 49/04 (inland navigation)
vibration, climatic and electric tests
design to drawing SP 4803-4
fundamental frequency: 650 Hz
intensity in 1/3rd-octave band at 1 metre: more than 120 dB, 122 (± 2) dB(A)
power supply: 12 and 24 V DC (+20% -10%)
maximum input (sounding): 50 Watt
comprising:

a) 1 ZETFON 70 s

diaphragm casing with incorporated moving coil and diaphragm,
weather-proof cast aluminum console, sound horn made of aluminum
installation site: as high as practicable on the mast
approx. net weight 3.3 kg

b) 1 Control and Amplifier Unit ZP 7-50/650 K

electronic sound generator and amplifier with protection against
cross connection of and special transformer;
installed in a weather-proof cast aluminum casing (IP 65)
with 3 cable glands, input: less than 50 Watt
installation site: any
approx. net weight 3.2 kg

c) 1 Built-In Signal Key

design to drawing SP 4804-4, protection type IP 65 (water-tight)

Special Advantages

- 1) Electronics and transformer within aluminum casing inside wheelhouse!
(Not on mast!)
- 2) Low weight on the mast: only 3.3 kg
- 3) Small dimensions: 200 \varnothing x 360 in length
- 4) Power consumption only 50 Watt at full sound pressure level
acc. to IMO 1972

As the absorption in dB per nautical mile is much higher at frequencies over 600 Hz than at frequencies by 300 Hz, we would recommend high-pitched signal units with more than 600 Hz only for yachts, sailing mostly in good weather conditions.

The low pitched ZETFON 120/330 with a fundamental frequency of 330 Hz is available for 24 V DC.

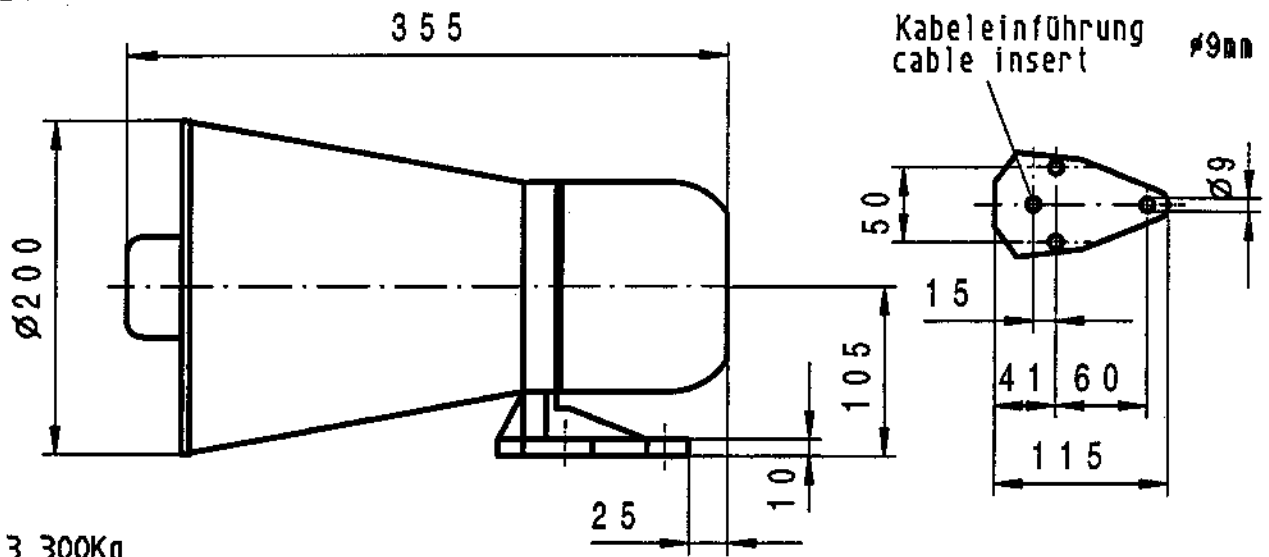


ZETFON Anlage (Hochton)
ZETFON Equipment (high-pitched)

50/650 K
12/24V DC

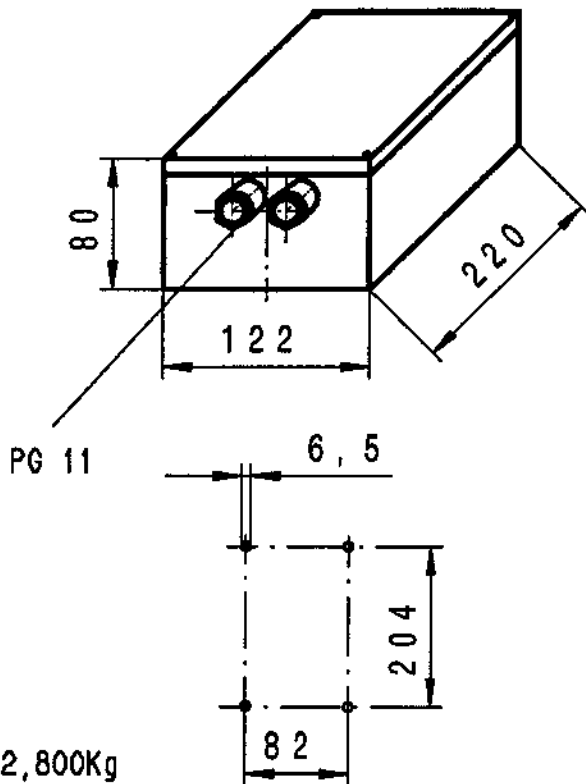
SP
4803-4

ZETFON 70s



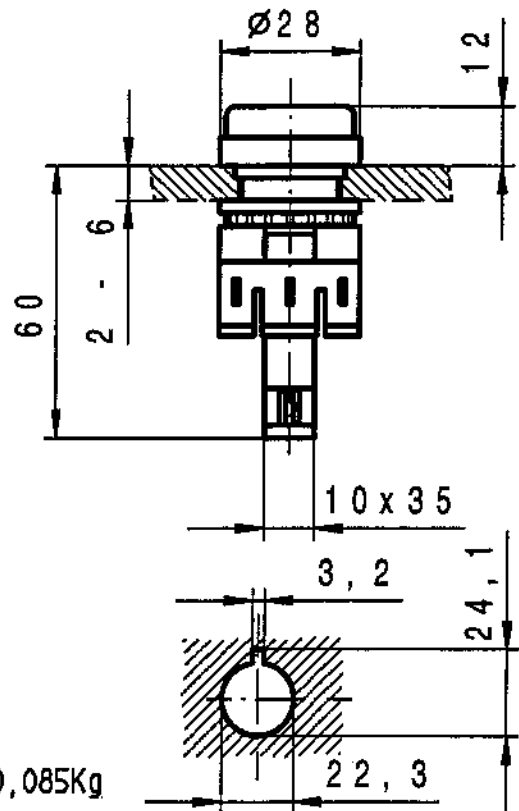
3,300Kg

Schalt-u. Verstärkereinheit ZP-7
Control-a. amplifier unit ZP-7



2,800Kg

Einbautaster 4804
Built-in key 4804



0,085Kg

Einspeisung / feeding : 12/24V DC

Leistungsaufnahme / input for sounding : ca. 50W

Schallpegel / sound level : > 120dB(T) 1m

Grundfrequenz / sound frequency : 660Hz

Anbauanweisung : Das ZETFON 70s ist ca. 3° nach vorne geneigt anzubauen!

Direction for installation : The ZETFON 70s has to be installed bending appr. 3° to the front !

26.11.96 Sch.
28.05.98 Sch.

ZÖLLNER • KIEL

Ersatz für Zeichnung v. 25.2.93
Replacement for drawing f. 25.2.93

Änderung vorbehalten !
Subject to alteration !

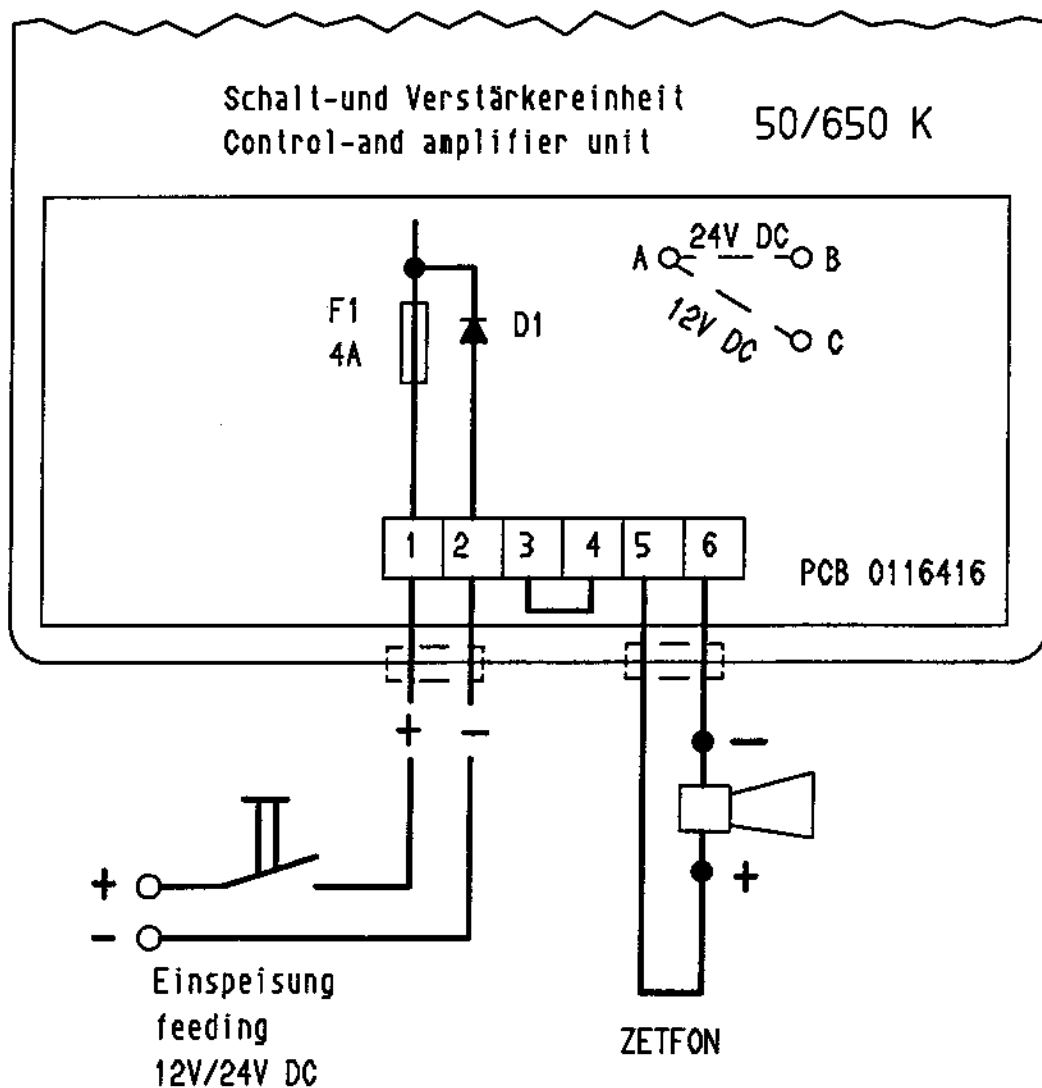


Wurde versehentlich die Batteriepolung am Anschluss der Schalt- und Verstärkereinheit vertauscht, so verursacht die Diode D1 das Auslösen der Sicherung F1.

Nach Umpolung und Ersatz der Sicherung ist die Anlage wieder betriebsbereit.

Should the battery poles be confused during connection to the control and amplifier unit the diode D1 will cause the fuse F1 to blow.

Once the poles have been reversed and fuse replaced the appliance is again ready for operation.



Anderung vorbehalten!
subject to alteration!